



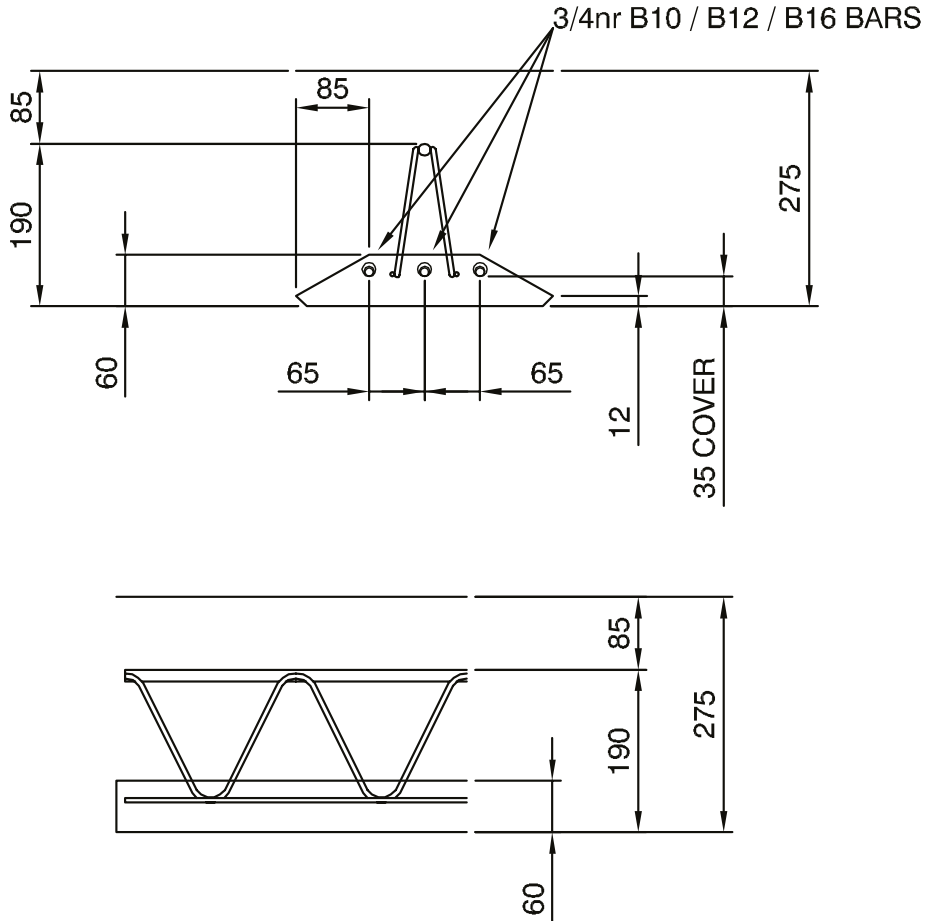
**BISON PRECAST**

a Forterra brand

# TYPE 4 DECK

Omnia Bridge Deck - For a 275mm deep overall slab

Note: Do not scale from this drawing. If in doubt, please ask for confirmation of any dimension.



Omnia plank depth:	60mm
Overall depth including lattice:	190mm
Cover to reinforcement:	35mm
Lattice depth:	155mm
Allowance for in situ reinforcement and cover:	85mm